

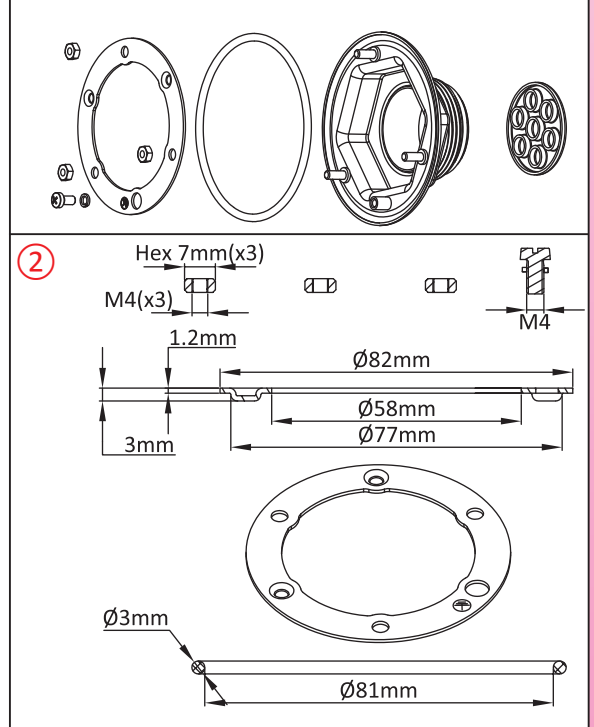
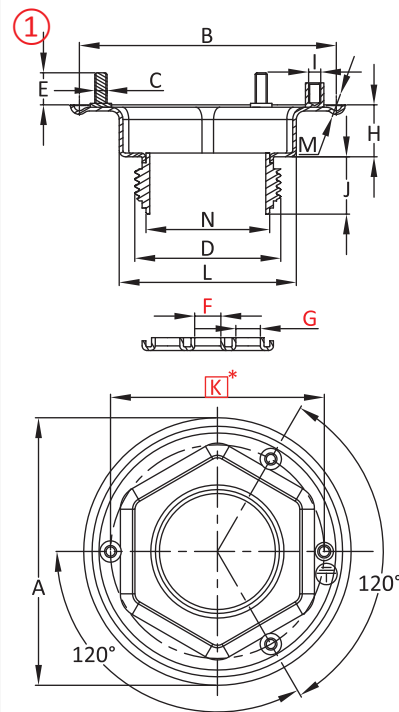
# Stainless steel fitting with wide rotating flange, welded thread, non-welded heating elements flange

| Minimum Size | Maximum Size | Material               | Type  | Model                              |
|--------------|--------------|------------------------|---|------------------------------------|
| <b>1" ½</b>  | <b>M45x2</b> | <b>Stainless steel</b> | <b>- Big deep drawn flange<br/>- Non-welded cup</b> | <b>66R3 (304L)<br/>66R7 (316L)</b> |

| Compatible accessories                   |  |
|--|--|
| <input checked="" type="checkbox"/> 66JF |  |
| <input checked="" type="checkbox"/> 66JP |  |
| <input checked="" type="checkbox"/> 66JR |  |
| <input checked="" type="checkbox"/> 66NL |  |
| <input checked="" type="checkbox"/> 66XF |  |
| Compatible enclosures                    |  |
| <input checked="" type="checkbox"/> Y309 | <input checked="" type="checkbox"/> Y3J2 |
| <input checked="" type="checkbox"/> Y310 | <input checked="" type="checkbox"/> Y3M1 |
| <input checked="" type="checkbox"/> Y3G1 | <input checked="" type="checkbox"/> Y3P5 |
| <input checked="" type="checkbox"/> Y3G2 | <input checked="" type="checkbox"/> Y3S7 |
| <input checked="" type="checkbox"/> Y3G3 | <input checked="" type="checkbox"/> Y3SA |
| <input checked="" type="checkbox"/> Y3J1 |  |



|   | 1-1/2"                       | M45x2                        |
|---|------------------------------|------------------------------|
| A | Ø90                          | Ø90                          |
| B | Ø84                          | Ø84                          |
| C | M4(x3)                       | M4(x3)                       |
| D | 1-1/2"                       | M45x2                        |
| E | 8                            | 8                            |
| F | Ø8.6(x0,x1)<br>Ø10(x0,x1)    | Ø8.6(x0,x1)<br>Ø10(x0,x1)    |
| G | Ø6(x2,x4,x6)<br>Ø8(x2,x4,x6) | Ø6(x2,x4,x6)<br>Ø8(x2,x4,x6) |
| H | 13.5                         | 13.5                         |
| I | M4                           | M4                           |
| J | 20                           | 20                           |
| K | Ø70                          | Ø70                          |
| L | Hex 58                       | Hex 58                       |
| M | Ø3                           | Ø3                           |
| N | Ø40.5                        | Ø40.5                        |



### Main references

| Dimensions | Composition | Reference in AISI 304L | Reference in AISI 316L |
|------------|-------------|------------------------|------------------------|
| 1½"        | ①           | 66R3A3T*****0000       | 66R7A3T*****0000       |
| 1½"        | ①+②         | 66R3A3T*****0005       | 66R7A3T*****0005       |
| M45x2      | ①           | 66R3MDT*****0000       | 66R7MDT*****0000       |
| M45x2      | ①+②         | 66R3MDT*****0005       | 66R7MDT*****0005       |

### Links

|  |                      |
|--|----------------------|
|  | Page<br>(.pdf)       |
|  | Drawing 2D<br>(.dwg) |
|  | Drawing 3D<br>(.stp) |

Specify dimensions and quantity of holes F and G.  
Red dimensions inside rectangular frames are used for assembly on enclosures or on fittings.

